

DAE AS130U-50RP

1/2" Hot Water Meter with Pulse Output, Measuring in Gallon + Couplings

[Specification]

Model	AS130U-50RP
Type	1/2" Hot Water Meter with Pulse Output, Measuring in Gallon + Couplings
Couplings	Included
Pulse Output	1 pulse per 1 gallon, a dry contact (i.e. no voltage) reed switch with 2 wires, 1.5m. The switch may be damaged if input electricity is more than 0.01A, 24V.
Unit	Totalizer Measuring in Gallon, GPM
Accuracy	+/-1.5% within normal flow as per AWWA Standard
Certification	AWWA C712 and ISO4064.
Max Water Temperature	194°F (90°C)
Max. Working Pressure	150 psi, the requirement from AWWA standard
Meter Body	Bronze
Size	Length without couplings: 4.3 inches Length with couplings: 8.125 inches Item dimension: 4.3" length, 3.4" wide, 3" height
Weight	3 lbs.
Flow Rate	Maximum Flow Rate: 15 GPM (3.4 m ³ /h) Normal Flow Rate: 7.5 GPM (1.5 m ³ /h) Minimum Flow Rate: 0.25 GPM (0.06 m ³ /h)
Pressure Drop	at 5 GPM: 1.6 psi at 10 GPM: 7.03 psi
Mount	Horizontal Inline mount with dial facing upward

[Feature]

- 8 digits register counter. The last digit is one tenth gallons (*0.1 gallons). The dial is one hundredth gallons (*0.01 gallons). The reading in 2nd picture of the listing is 109.774 gallons.
- The register head can be freely rotated for convenient viewing
- The DAE meters have been tested by our QC inspectors in the production line to certify their quality. Therefore, the reading will not be zero.
- DAE AS series is single jet water meter.
- Factory calibration certificates available for government contracts.
- 2 years warranty from the seller.
- For the water meter to be installed vertically with water flowing upward, please refer to V-50P, VM-50P, or PVM-50.

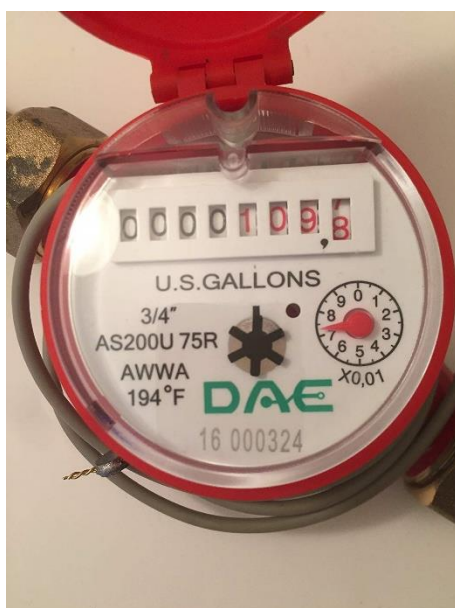
- DAE AS series water meters are not NSF61 certified. It is DAE MJ series water meters which are NSF 61 certified. California, Vermont, Maryland and Louisiana state laws require that all the water meters used their states be NSF61 certified.

[Remote Reading Solutions]

- Refer to 6th picture, available for cloud metering system with CC2030 Gateway. DAE CC2030 Gateway will get the water consumptions from (Auto Meter Reading Module for single water meter) or AMR (Auto Meter Reading Module for 16 water meters) and send them to the cloud (DAE server) through Ethernet. With PC or cell phone or tablet, the building owners or property managers will therefore be able to get access to real time data as well as the monthly water consumption and billing reports to their tenants.
- Only two wire connection between water meter and AMR or AMR130. It is not required for additional power source.
- Available to use with CO-10 KIT or CO-10 Electronic Pulse Counter - An inexpensive remote reading solution Please refer to 5th picture.
- Available for wireless remote reading with DAE RF converters. Please refer to 7th picture.



[Picture 1]



[Picture 2]



[Picture 3]



[Picture 4]

Remote Reading with Pulse Counter An Inexpensive Solution

Note: Only meters with pulse output like AS200U-75P are eligible to be connected to CO-10.

**Electronic
Pulse Counter
CO-10**



info@daecontrols.com, (248) 635 3708, www.daecontrols.com

[Picture 5]

Cloud System Architecture

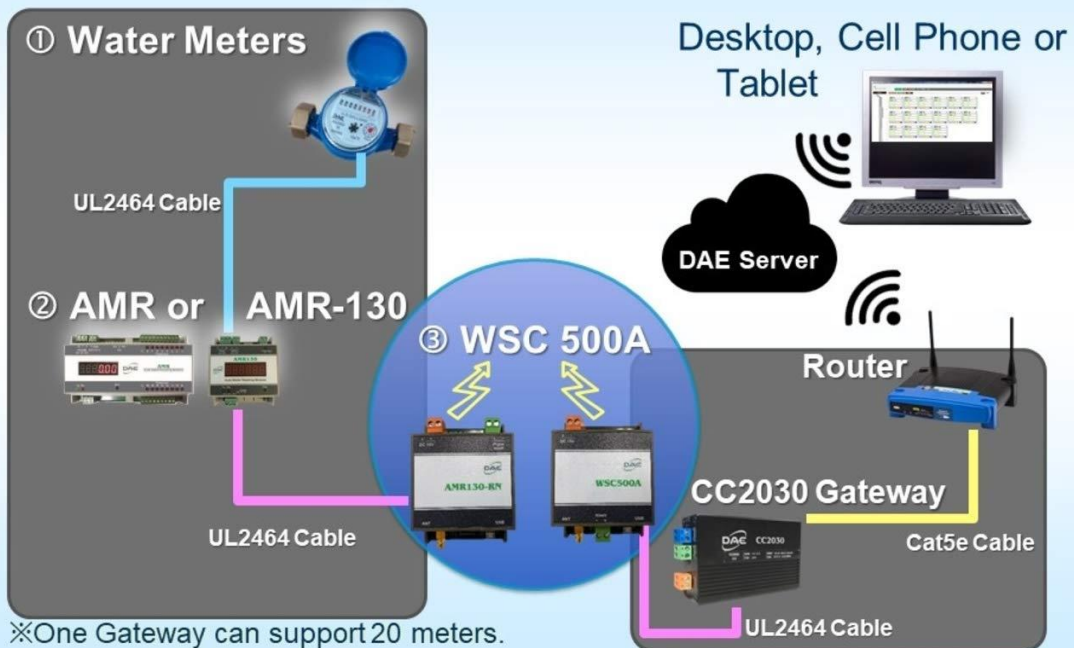
Water Meters



info@daecontrols.com, (248) 635 3708, www.daecontrols.com

[Picture 6]

Wireless Cloud System Architecture - Water



※One Gateway can support 20 meters.

info@daecontrols.com, (248) 635 3708, www.daecontrols.com

[Picture 7]